



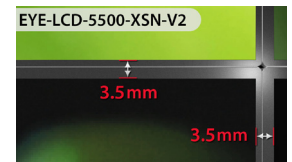
EYE-LCD-5500-XSN-V2

55" EXTREMELY-SUPER-NARROW-BEZEL VIDEO WALL LCD WITH DIRECT-LED BACKLIGHT



) PRODUCT DESCRIPTION

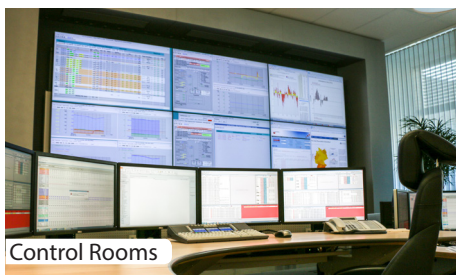
The EYE-LCD-5500-XSN-V2 is a 55 inch LCD monitor for video wall applications. Thanks to the extremely slim bezel of the device it is now possible to create video wall setups with an almost invisible mechanical gap of only 3.5mm between the screens in a combined video wall. Perfect display characteristics paired with several new features for the electronics make the new EYE-LCD-5500-XSN-V2 a first choice for modern video walls in professional applications.



) INNOVATIVE FEATURES

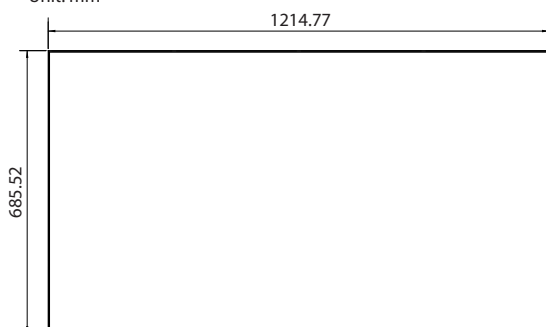
- 4K Loop-Through**
 The new internal matrix scaler of the displays enables a loop-through of signals with up to 4K resolution.
- Simple Firmware Updates**
 The firmware of the displays can easily be updated. All displays within a video wall can be updated at once.
- Reliable 24/7 Operation**
 All components designed for professional use in long-term operation.
- Durable and Professional Design**
 All metal structure, sleek & low-key look that makes the content stand out.
- Landscape or Portrait Installation**
- Non-Stick Mode (optionally activatable)**
 To reduce potential image sticking effects three different mechanisms are built in and can be activated via OSD:
 - **Pixel Shifting** constantly moves the entire image by one pixel.
 - The intelligent **Soft Picture Mode** smoothens extreme contrast transitions to avoid boundary line image sticking.
 - **Dynamic Pixel Refreshing** randomly changes individual pixels for a very short time so that it is not visible for the human eye at all but reduces the risk of image retention through static images considerably.

The Non-Stick Mode can be activated for static content and deactivated for motion content.



) DRAWING

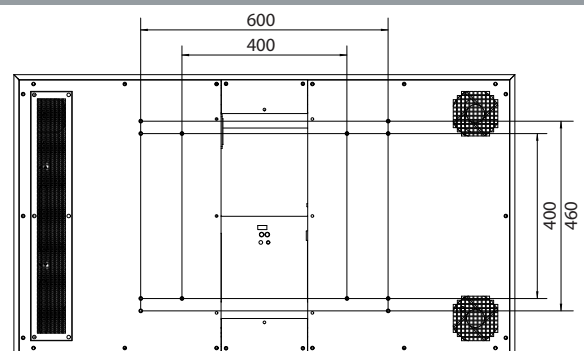
Unit: mm



Front View:



Side View:



Rear View:



EYE-LCD-5500-XSN-V2

55" EXTREMELY-SUPER-NARROW-BEZEL VIDEO WALL LCD WITH DIRECT-LED BACKLIGHT

) TECHNICAL SPECIFICATION

LCD PANEL

| | |
|-------------------------------|------------------------------|
| Model Name: | EYE-LCD-5500-XSN-V2 |
| Panel Type: | TFT-LCD |
| Installation: | Landscape/Portrait |
| Screen Size: | 55" (ca. 139 cm) |
| Active Display Area: | 1209.6 × 680.4 mm (W × H) |
| Display Resolution: | 1920 × 1080 Pixel (full HD) |
| Colours: | 16.7 M |
| Brightness: | 700 cd/m ² (typ.) |
| Contrast: | 4000 : 1 (typ.) |
| Viewing Angle: | 178° H/V |
| Response Time: | 8 ms (typ.) |
| Backlight: | Direct-LED |
| Backlight Life-Time: | 50,000 hours |
| System MTBF: | 50,000 hours |
| 24/7 Operation ¹ : | Yes |

CONNECTORS & CONTROL

| | |
|------------------------|--|
| Inputs ² : | Video, Y/C, DVI-I (digital/analog), HDMI, DisplayPort, RS232 |
| Outputs ² : | DisplayPort, RS232 |
| Internal Matrix: | 10 × 10 |

MECHANICAL

| | |
|--------------|--|
| Display: | TBD (W × H × D) |
| Bezel Width: | 1.2 mm (right/bottom), 2.3 mm (left/top) |
| Weight: | TBD |
| VESA Mount: | 400×400, 400×600 |

OPERATING CONDITIONS

| | |
|------------------------|-----------------------------------|
| Power Consumption: | TBD |
| Input Voltage: | 100V – 240V AC, 50/60 Hz |
| Operating Temperature: | typ. 0 - 40 °C |
| Humidity: | typ. 10-80 % RH (no condensation) |

OPTIONS

| | |
|-----------------------|--|
| Front-Service Option: | Full front-service Landscape/Portrait video wall mount |
| Colour Adjustment: | EYE-LCD-CAS colour adjustment system |
| Touch: | Custom infrared touch overlay for video walls |

ORDERING INFORMATION

| | |
|--------------|-----|
| Item Number: | TBD |
|--------------|-----|

¹ When observing required terms and condition of operation

² Possible for signals up to 4K if supported by the signal source/graphic card on output side

) THE ADVANTAGES AT A GLANCE

- 55" screen diagonal (ca. 139 cm)
- Full HD resolution (1,920 × 1,080 Pixel)
- Bezel Width: 3.5 mm
- Enhanced contrast
- Direct LED backlight for uniform illumination and brilliant colours
- Optimised power consumption
- Internal matrix function for signals and control
- Robust metal design for demanding applications

) APPLICATIONS

- Control Rooms (e.g. for Video Surveillance)
- Board Rooms
- Show Rooms
- Conference Rooms
- POS/POI
- Trade Fairs / Events
- Trading Rooms

) FRONT-SERVICE OPTION



EYE-WHLCD-FS-QR-65-LAND
for Landscape Installation



EYE-WHLCD-FS-QR-65-POR
for Portrait Installation

PRELIMINARY DOCUMENTATION!



eyevis GmbH

Hundsschleerstrasse 23 • 72766 Reutlingen • Germany
Phone: + 49 (0) 7121 43303 - 0 • Fax: + 49 (0) 7121 43303 - 22
www.eyevis.de • info@eyevis.de

As at: 15.10.2015 / V0.1 • Subject to change!

All trademarks and registered trademarks are the property of their respective owners. Copyright © 2015 eyevis GmbH. All rights reserved.