

# ) eyeTouchTABLE



## EYE-TOUCHTABLE-T3-092

LARGE 92" MULTI-TOUCH LCD TABLE  
FOR COLLABORATIVE TEAMS

WITH HI-END 40 POINTS MULTI-TOUCH,  
DIRECT LED BACKLIGHT, QUAD HD RESOLUTION

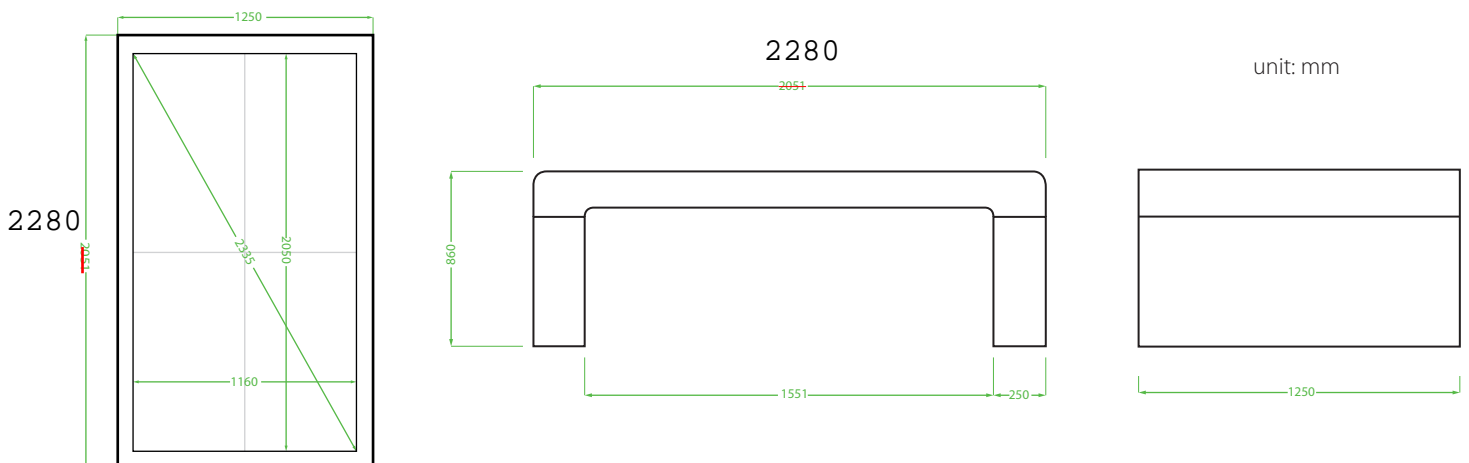
### ) TOUCH TABLE PROPERTIES

- ) Professional 92-inch LCD multi-touch table made of 2x2 46-inch Full HD LCD displays Direct-LED backlight
- ) Uniform displays brightness thanks to Direct-LED backlight technology with local dimming function
- ) Quad HD Resolution 3.840 x 2.160 Pixels
- ) Up to 40 simultaneous touch points with innovative IR technology, pointing with fingers, gloves, board pen etc.
- ) Ideal for presentation, team meeting, marketing and other sophisticated applications
- ) Robust and elegant metal structure (standard white, different RAL colours available on request)
- ) Internal compartment for pc or video controller for a tidy working space

### ) PICTURES



### ) DRAWING





## EYE-TOUCHTABLE-T3-092

order code: T3-092-QHD-USN

### ) TECHNICAL SPECIFICATION

#### General Information

Screen diagonal	92"
Touch Points	up to 40 simultaneous touches
Videowall configuration	2x2 46" displays in Landscape configuration
LCD Bezel	5.7mm pixel-to-pixel
Resolution	3,840x2,160 pixel (Quad HD)
Brightness	700 cd/m <sup>2</sup>
Backlight	Direct LED
Touch Technology	Infrared
Touch Method	Finger, gloved hand or any other pointer (minimum radius 6 mm)
Response Time	7ms-12ms
Compatibility	Windows 8, Windows 7, Vista, XP, MacOS, Linux
ESD Standard	Class 4 EN61000-4. Contact discharge 8kV, Air discharge 15kV
EMC Standard	EN55022, EN55024, CISPR 22, CISPR24

#### Connectors and Control

Input	4x DVI-I, 4x VGA, 4x S-Video, 4x Video Analog, 1x USB 2.0, 1.1 compatible
Loop-Through	1x DVI-D output for each LCD Display
LAN	1x RJ45 10/100/1000 MB
Serial	1x RS232 with loop-through
IR Remote Control	Centralized
Software	Display Software and Driver

#### Mechanical

Table Height	860 mm
Protective surface	6mm Glass, metal oxides anti reflecting coating, total transparency
Installation	Metal bent stand
Painting	Fusion-bond epoxy powder coating
Color	White, customizable on RAL scale
Cables	Integrated inside the stand
Technical Pedestal	for accepting computer and other equipment with full legroom in the width and depth

#### Electrical/Environmental

Power Consumption	760 Watt
Thermal load	2,593 BTU/h
Power supply	100V - 240V AC, 50/60Hz
Operating Temperature	0 - 40 °C
Humidity	20 - 80% RH

#### Dimensions

Working Area	2,051 x 1,159 mm
Stand	2280 x 1250 x 860 mm (W x D x H)
Weight	~260 kg

Subject to modifications without further notice. Electronic components designed for 24/7 operation. Prolonged display of static image contents may affect the display quality of the device. These effects do not affect the functionality of the device and are therefore not considered as defects in terms of our warranty conditions (recommended operating time: ≤ 20/7).

#### Eyevis srl

via Pazzano 112 • 00118 Rome • Italy  
 via Cornalia 10 • 20128 Milano • Italy  
 phone: +39 06 79 19 730 • Fax: +39 06 79 19 721  
 www. eyevis.it • info@eyevis.it

Status: 25.11.2014/V1.4

Brands and trademarks are property of their respective owners.  
 Copyright © 2014 eyevis srl All rights reserved.