



EYE-LCD-5800-QHD

58-INCH 4K/ULTRA-HD@60Hz LCD MONITOR
WITH EDGE-LED BACKLIGHT



4K
ULTRA-HD

60Hz

LED

) PRODUCT DESCRIPTION

eyevis new 58" Ultra-HD LCD EYE-LCD-5800-QHD represents the latest state-of-the-art in the fields of professional 4K/Ultra-HD monitor solutions. With a pin-sharp resolution of 3840x2160 pixels and a frame rate of 60 Hz this new device delivers perfectly smooth and vivid images with high-quality contents. Uniform and vivid images, slim design thanks to Edge-LED backlight technology and the adjustable colour temperature range further enhance the capabilities the display possibilities to meet with the requirements of any field of application. The device provides all high-quality features that eyevis products are well-known for, including a robust metal housing and highest reliability in demanding long-term operation.

Application Possibilities:

- High-end digital signage applications
- High-end broadcast applications
- Security control rooms, display of multiple camera signals in native resolution on one screen
- Detailed process control in high resolution
- Designers / Design Engineers / Architects

) ADVANTAGES OF THE EYE-LCD-5800-QHD

▪ Ultra-High Resolution & Image Representation

Quad-Full-HD/4K resolution 3,840x2,160px@60Hz

▪ High Brightness

450 cd/m² for best readability even in difficult ambient light conditions

▪ Ultra-Wide Viewing Angle

176 degree viewing angle horizontally & vertically

▪ Brilliant Colours

72% NTSC colour gamut, precise colour temperature setting

▪ Uniform Images

Thanks to Edge-LED backlight technology

▪ Reliable Operation

All components designed for professional use in long-term operation.

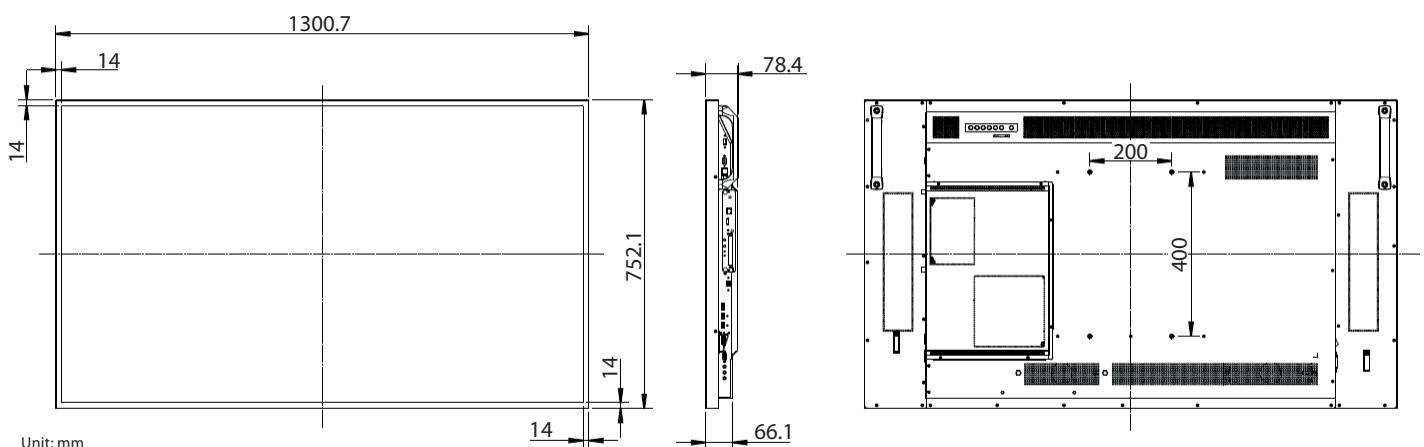
▪ Durable and Professional Design

All metal structure, sleek & low-key look that makes the content stand out.

▪ Landscape or Portrait Installation



) DRAWING





EYE-LCD-5800-QHD

58-INCH 4K/ULTRA-HD@60Hz LCD MONITOR WITH EDGE-LED BACKLIGHT

) TECHNICAL SPECIFICATION

LCD PANEL

Screen Size:	58" (ca. 147 cm)
Resolution:	3840 × 2160 Pixel
Active Screen:	1270.08(H) × 721.44(V) mm
Pixel Pitch	0.334 × 0.334 mm
Brightness:	450 cd/m ² (typ.)
Contrast:	3000:1 (typ.)
Colours:	1.07 G Colours (10bit)
Display Frame Rate:	120 Hz
Response Time:	6.5 ms (typ.)
Local Dimming:	Yes
Installation:	Landscape/Portrait
Viewing Angle:	176° H/V
Backlight:	Edge-LED
24/7 Operation ¹ :	Yes (recommended operation 20/7)

CONNECTORS & CONTROL

Input Resolution ² :	3840 × 2160 @ 60 Hz or less (Full-HD, QFHD, WUXGA, HD, others)
Connectors:	4x HDMI 1.4, 1x DisplayPort 1.2, 1x VGA
Audio Out:	2 ch. analog out / 5 ch. digital out
Communication Port:	RS-232C, Ethernet
OSD Control:	RS232C, Control Buttons, IR Remote Control
Picture in Picture (PIP):	Picture-in-Picture (PiP), Picture-by-Picture (PbP)
Video Wall Mode:	Yes (display of 4 windows in 2x2 configuration)

MECHANICAL

Dimensions:	1300.7 × 752.1 × 78.4 mm
Weight:	38 kgs
VESA Mount:	400×200
Fanless Design:	Yes

ELECTRICAL

Power Consumption:	max. 240 W
Input Voltage:	110V – 240V AC, 50/60 Hz
Speaker:	4Ω/ 10W x 2 / Full range

ENVIRONMENTAL

Operating Temperature:	0 °C – 40 °C, 35% - 85% RH
Storage Temperature:	-20 °C – 60 °C, 35% - 85% RH
MTBF:	30,000 h

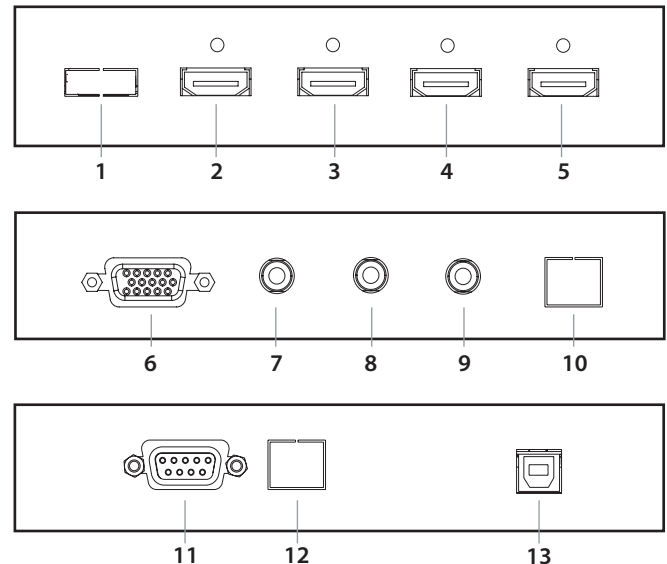
OPTIONS

Touch Surface:	Infrared multi-user touch system
Installation:	Metal stands, carts, wall-/ceiling-mounts
Housing Colour:	Customised frame colours and logo branding

¹ When observing required terms and condition of operation

² If supported by the signal source/graphic card on output side

) CONNECTORS



- | | |
|----------------|--------------------------|
| 1. DisplayPort | 8. IR Extender |
| 2. HDMI 1 | 9. Audio Out |
| 3. HDMI 2 | 10. SPDIF Out |
| 4. HDMI 3 | 11. RS232C |
| 5. HDMI 4 | 12. Ethernet |
| 6. VGA | 13. Touch USB (optional) |
| 7. PC Audio In | |

) OPTIONAL FEATURES

OPS MODULE

Features:

- OPS-standard compliant eyevisProcessingUnit embedded in the device. The powerful EPU-versions can be used as digital signage players or to integrate the display device in eyevis' unique eyeCON® MetaWall concept for IP-based signal distribution and control

HD_{BASE}T MODULE

Features:

- Use of Cat5e/Cat6 Ethernet cable with standard RJ-45 connector for video/audio/control/power transmission.

3G-SDI MODULE

Features:

- Internal 3G/HD/SD-SDI Board
- Supported 3G formats (SMPTE 424M) 1080p@50/60Hz
- Looping out to other display
- Easy Install (Intel OPS Architecture Compliant)

PRELIMINARY DOCUMENTATION. SUBJECT TO CHANGE.



eyevis GmbH

Hundsschleestrass 23 • 72766 Reutlingen • Germany
 Phone: + 49 (0) 7121 43303 - 0 • Fax: + 49 (0) 7121 43303 - 22
 www.eyevis.de • info@eyevis.de

As at: 16.01.2015/V0.3 • Subject to change!

All trademarks and registered trademarks are the property of their respective owners. Copyright © 2015 eyevis GmbH. All rights reserved.